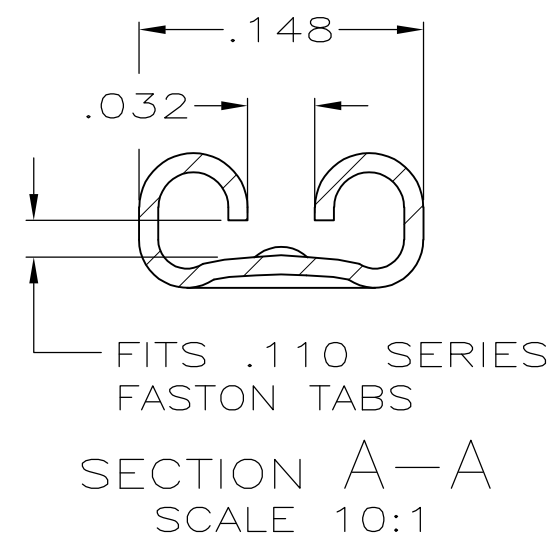
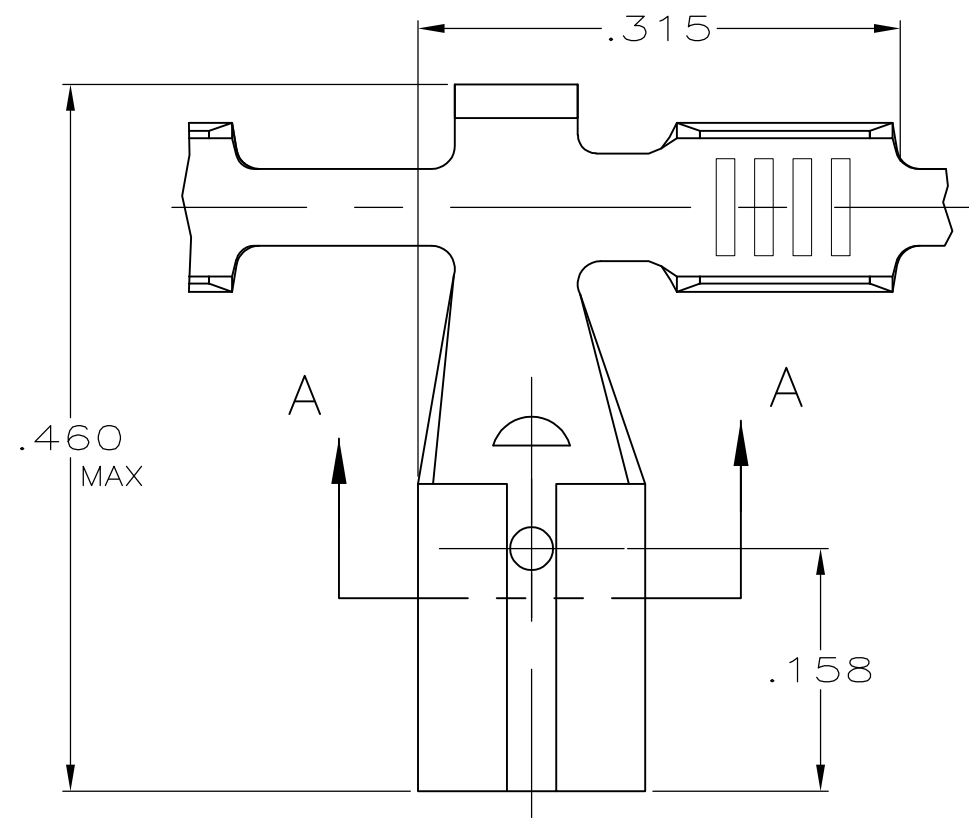
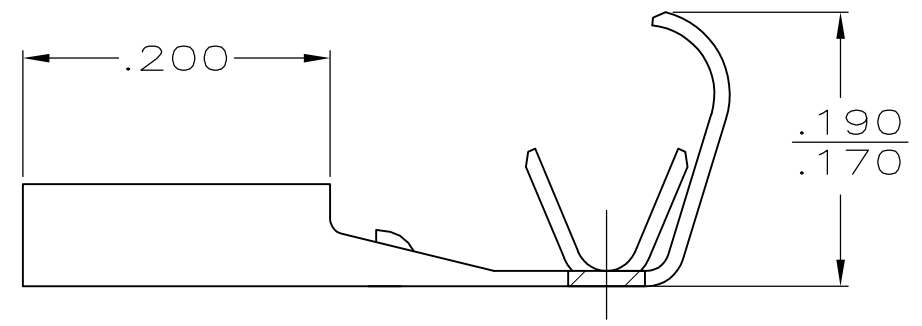
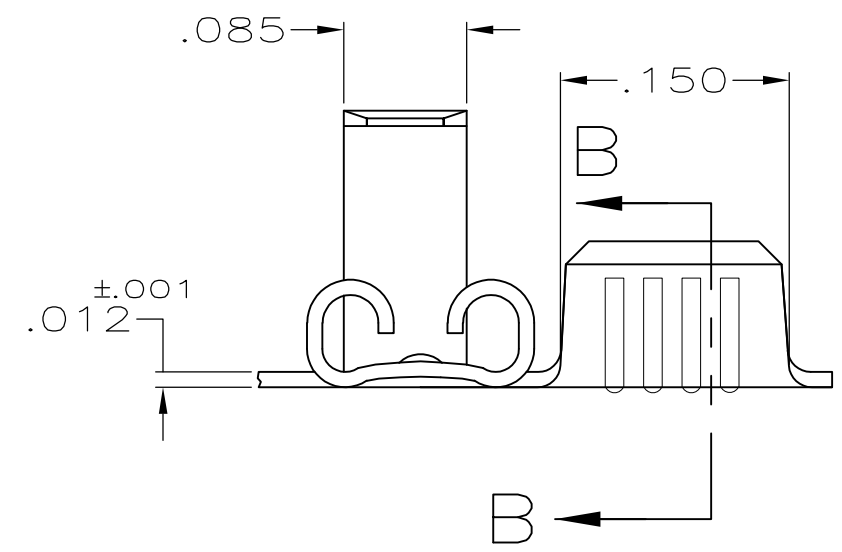
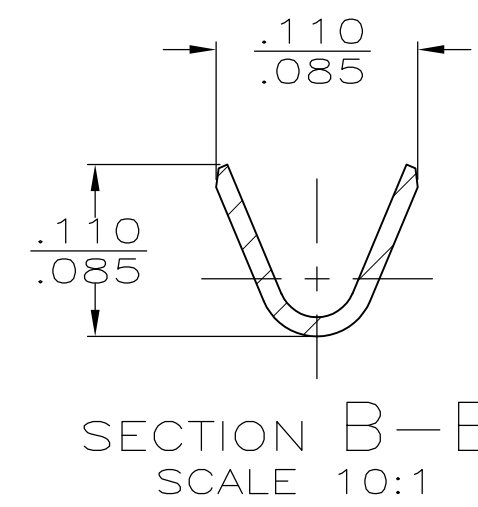


THIS DRAWING IS UNPUBLISHED. RELEASED FOR PUBLICATION
 © COPYRIGHT - By - ALL RIGHTS RESERVED.

| | | | | | | | |
|-----|------|-----------|-----|---------------------------|---------|-----|------|
| LOC | DIST | REVISIONS | | | | | |
| AF | 50 | P | LTR | DESCRIPTION | DATE | DWN | APVD |
| | | | H | REVISED PER ECR-12-013445 | 09NOV12 | KH | PD |



- 1 CONTINUOUS STRIP ON REELS
- 2 FEED TO BE $.430 \pm .005$



| | | | | | | | | | |
|--|--|-----------|--|-----------------------|--|--|--|---|--|
| .065-.100 DIA | | 22-18 AWG | | .020 | | 60605-1 | | | |
| INSULATION RANGE | | WIRE SIZE | | MATING TAB THK ±.001 | | PART NO | | | |
| THIS DRAWING IS A CONTROLLED DOCUMENT. | | | | DWN JR RUTH 4/24/91 | | TE Connectivity | | | |
| DIMENSIONS: INCHES | | | | CHK MS FEHER 4/24/91 | | | | NAME RECEPTACLE, FASTON, FLAG, .110 SERIES | |
| | | | | APVD C MEYERS 4/24/91 | | | | | |
| TOLERANCES UNLESS OTHERWISE SPECIFIED: 0 PLC ± - 1 PLC ± - 2 PLC ± - 3 PLC ± .015 4 PLC ± - ANGLES ± - | | | | PRODUCT SPEC | | RESTRICTED TO | | | |
| MATERIAL BRASS | | | | FINISH TIN | | WEIGHT - SIZE A3 CAGE CODE 00779 DRAWING NO C-60605 | | | |
| CUSTOMER DRAWING | | | | | | SCALE 8:1 SHEET 1 OF 1 REV H | | | |